

Heavy Duty Forklift



SCP320C1

- ⚠ 32t Lifting Capacity
- ⚠ Volvo TAD760VE Engine
- ⚠ Dana Clark Transmission
- ⚠ Kessler Drive Axle
- ⚠ SANY Steering Axle
- ⚠ Air conditioning system
- ⚠ High durability mast structure

Engine

Volvo TAD760VE

- Power 181Kw / 2300 rpm
- Fully Electric EFI Control System allows for improved engine performance, better fuel efficiency, and improved emissions control.
- Cylinders : 6
- Displacement : 7.15l



Transmission

Dana Clark 340 TE 17312

- Hydrodynamic Transmission
- Three speeds forward and four reverse
- Smooth electronic gear change software controlled
- Modulated transmission can operate in automatic or manual shifting mode.
- Electro-Hydraulic Control System
- Forward/Backward Electrically Controlled Anti-Reversion Device
- Pipeless Hydraulic Pilot System



Fork

SANY

- Fork dimension 125x300x2400 mm
- Side shift +/- 450mm
- Fork positioning and side shift forks are standard features



Drive Axle

Kessler D91PL408

- Width 335mm with standard mudguard and vehical width
- Heavy Load Drive Axle durable for impact under all tough working conditions
- Service Brake with Wet Disc Brakes
- Tire Size 16.00 – 25 32PR



Steering Axle

SANY

- Heavy duty design
- Double acting steering cylinder
- Greasable bearings
- Centralized greasing (option)



Lighting

LED

- Mast working light
- Reverse motion lights
- Rear brake lights
- Rotating beacon light

Safety Features

- Protection against change of direction with machine in motion
- Safety valves with speed limiter on cylinders
- Engine and transmission protection system.
- CAN BUS

Electrical Control System

- CAN BUS system with 4 separate CAN BUS interfaces for secure data transfer
- CAN BUS diagnostic for main components
- Filter status indicators
- Latest IFM screen with High Resolution Display

Hydraulic System

- Load sensing hydraulics. System provides the right amount of power for each movement required by operator.
- 2 double variable displacement pumps
- 1 load sensing proportional distributor
- 3 main filters for brakes and drive axle
- Electronic CAN BUS joystick with auto throttle function.



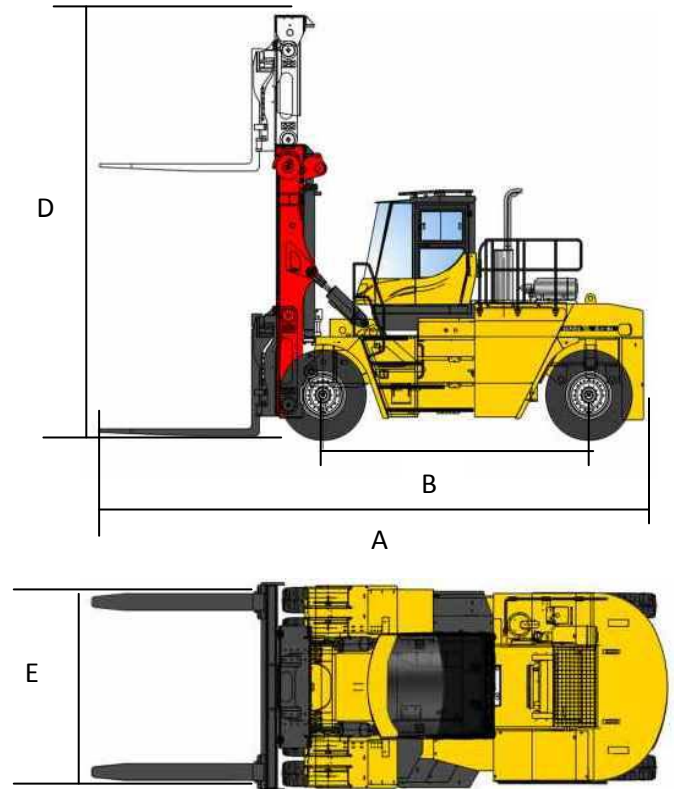
Cabin

- Spacious, comfortable cabin with excellent all-around visibility
- Fully adjustable Grammer Seat SYZY-GC-A
- Digital climate control system
- Main IFM colour display integrated in main dashboard
- Radio pre-arrangement
- Sun curtain on roof window



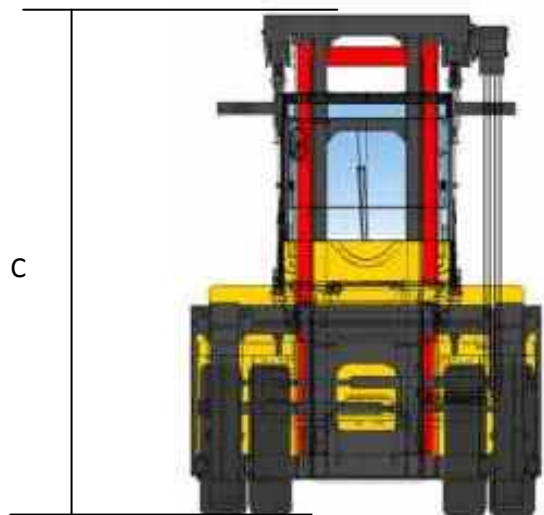
Performance Parameters

Overall Weight	Kg	43000
Max. Lifting Speed Unladen	mm/s	400
Max. Lifting Speed Laden	mm/s	300
Max. Lowering Speed Unladen	mm/s	350
Max. Lowering Speed Laden	mm/s	400
Max. Travel Speed Unladen	km/h	30
Max. Travel Speed Laden	km/h	26
Gradeability Unladen	%	33
Gradeability Laden	%	17
Max. Lifting Height	mm	4000



Main Dimensions

A Overall Length	mm	9587
B Wheel Base	mm	4800
C Min. Height	mm	4400
D Max. Height	mm	6345
E Overall Width	mm	3450
Min. Turning Radius	mm	6800
Fork Length	mm	2400
Fork Width	mm	300
Min. Ground Clearance	mm	300



Structure

CHASSIS

- Box type chassis designed for heavy duty application.
- Steel classification DIN EN 10025 = S355JR

BOOM

- High resistance profiles and steel plates reinforcements.
- Steel classification DIN EN 10025 = SQ890QL and SQ 890QL