



SANY
GERMANY



SRSC4539

&

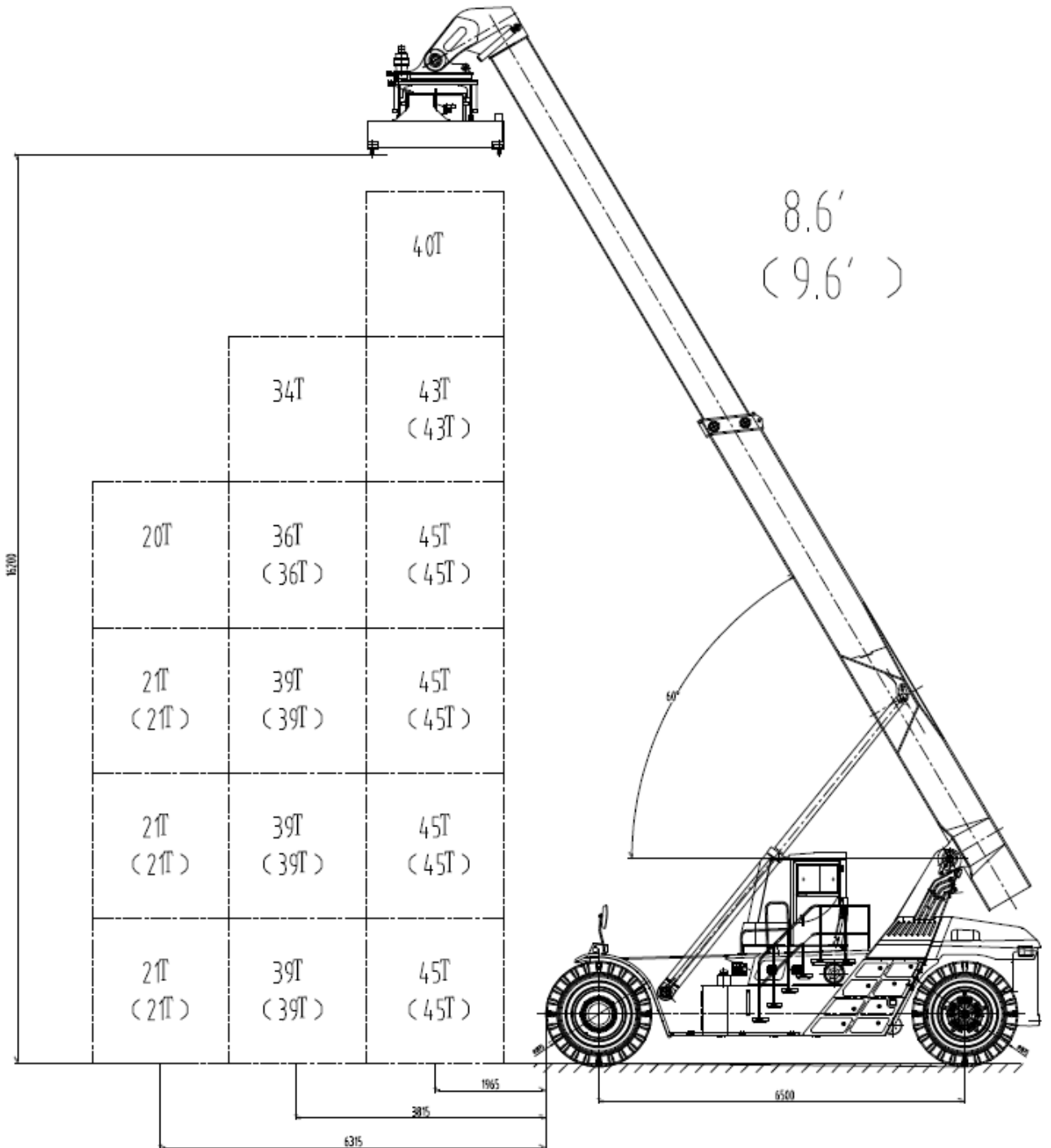
SRSC4539-P

SPECIFICATION	01 Manufacturer				SANY	SANY
	02 Model				SRSC4539	SRSC4539—P
	03 Lifting capacity	First Row/Second Row		Kg.	45000/39000	45000/34000
	03 Lifting capacity	under spreader + Piggy Back		Kg.	45000	45000
	04 Load Center	First Row/Second Row	L1/L2	mm.	1965/3815	1965/3815
	05 Power unit				Diesel engine	Diesel engine
	06 Steering				Steering wheel in the cab	Steering wheel in the cab
	07 Tyre type	Front / Rear			Pneumatic	Pneumatic
08 Wheels	Number at Front/Rear (*=driven)			4 / 2	4 / 2	
DIMENSIONS	09 Lifting Height	Under Spreader - First Row	H3	mm.	16200	16000
	10 Width of Spreader	20 Ft.		mm.	6042	6042
		40 Ft.		mm.	12175	12175
	11 Side Tilting			Deg.	± 3	± 5
	12 Rotation	Hydraulical		Deg.	-105 + 195	-105 + 195
	13 Side shifter	Max		mm.	± 800	± 800
	14 Boom Angle	Min / Max		Deg.	0 / 60	0 / 60
	15 Overall dimensions	Length without boom		mm.	8767	8767
		Length with spreader		mm.	12304	12304
	16	Width	B	mm.	4188	4188
	17	Boom height, Min.	H1	mm.	4870	4870
	18	Boom height, Max	H4	mm.	18820	18820
	19	Height - Top of Cab	H5	mm.	3770	3770
	20	Seat height	H	mm.	2500	2500
21 Turning radius	Inner/Outer	R2/R1	mm.	1200 / 8700	1200 / 8700	
22 Aisle for 90° stacking	Incl. 200 mm. safety margin 20' 40'		mm.	11900 / 13800	11900 / 13800	
PERFORMANCE	Stability (static)				EN 1459	EN 1459
	23 Speeds	Travelling F. & R. Laden/Unladen		km/h	18 / 25	18 / 25
	24	Lifting : max / zero load	m/s	M/s	0,25 / 0,42	0,25 / 0,42
	25	Lowering Laden/Unladen		M/s	0,30 / 0,36	0,30 / 0,36
	26 Drawbar pull	Max - Laden		kN	30000	30000
	27 Gradeability	Max at 0 km /h - Laden		%	22	22
WEIGHTS	28 Gross vehicle weight			Kg.	79000	85000
	29 Axle load - Front	Unladen		Kg.	36650	45330
		Laden		Kg.	101750	110430
	30 Axle load - Rear	Unladen		Kg.	42350	39670
Laden			Kg.	22250	19570	
TYRES	31 Tyres	Number - Front/rear			4/2	4/2
BRAKES	32	Size - Front			18.00-33	18.00-33
CHASSIS	33	Size - Rear			18.00-33	18.00-33
	34 Wheelbase		L3	mm.	6500	6500
	35 Track Front	Between centres - driven wheels		mm.	3033	3033
	36 Track Rear	Between centres - steering wheels		mm.	2790	2790
	37 Ground clearance	Mid-way along the wheelbase		mm.	450	450
	38 Foot brake system	Type/brake wheels			Wet disc brake / Driven Wheel	
	39 Parking brake	Type/brake wheels			Spring brakes / Driven wheel	

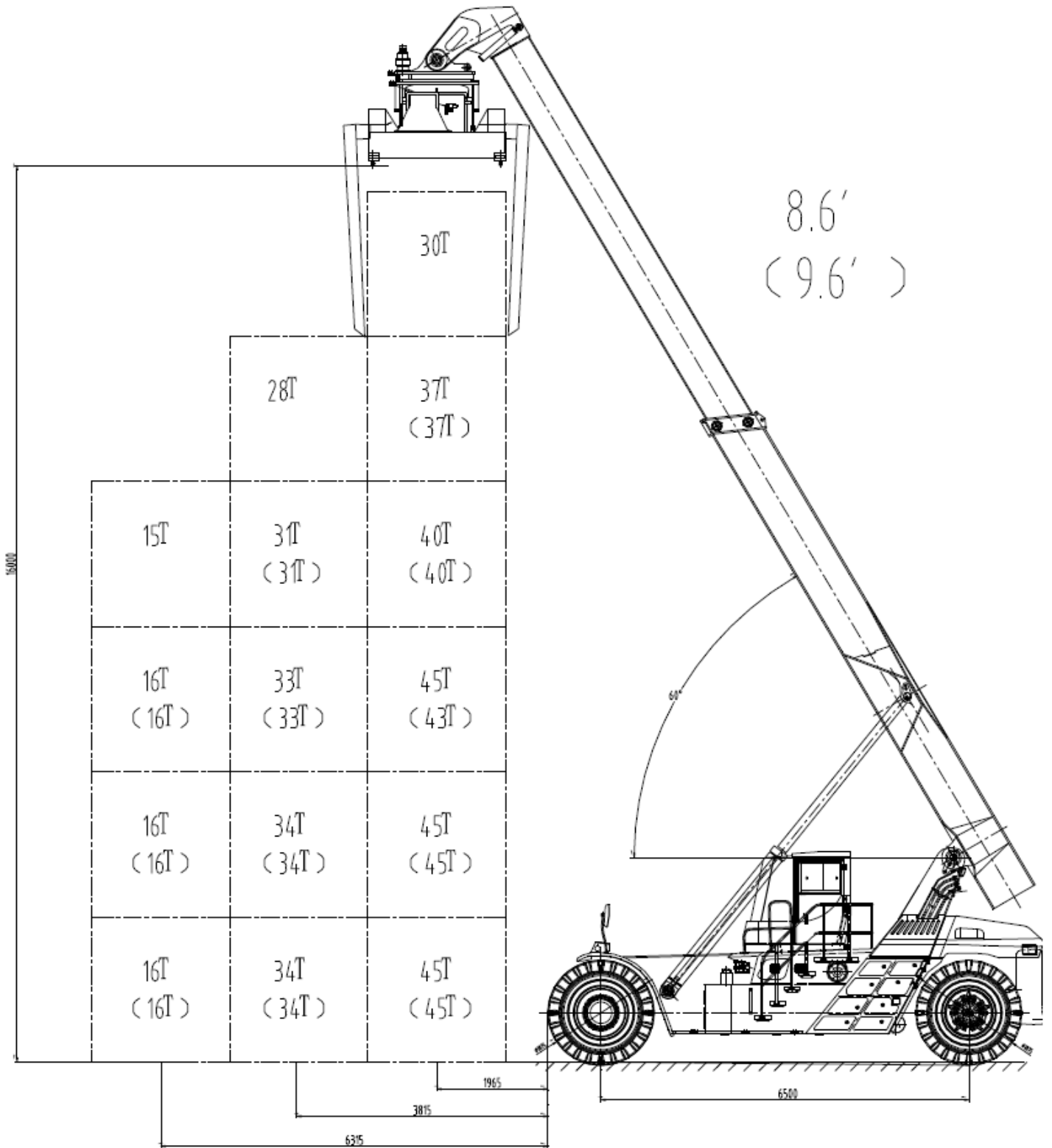
STEERING SYSTEM	Type				Hydrostatic	
-----------------	------	--	--	--	-------------	--

DRIVING SYSTEM	40 Engine	Manufacturer - Type			CUMMINS QSM11	
	41	Rating - DIN 6271		kw/(hp)	250 (335)	250 (335)
	42					
	43	Rated Speed		RPM	2100	2100
		Peak Torque - at engine speed		Nm/RPM	1674 / 1400	1674 / 1400
	44	Number Cylinders - swept volume		cm3	6 / 10800	6 / 10800
	45	Compression Ratio			16.3:1	16.3:1
	46 47 Alternator	Fuel Consumption (Average)		l/h	15 – 18	15 – 18
	48 Starting Batteries	Type - Rating		A	100 A	100 A
		Voltage - Capacity		V/Ah	2x12 V –180 Ah	2x12 V –180 Ah
	49 Drive Axle	Type			With double reduction	
	50 Gear Box	Type-number of gears forward/rev.			Clark - 4/4	Clark - 4/4
	51 Clutch	Clutch type			Torque converter	
	52 Hydraulic pressure	For attachments		Bar	160	160
	53 Sound Level	Inside Cabine – According to			EN 12053	EN 12053

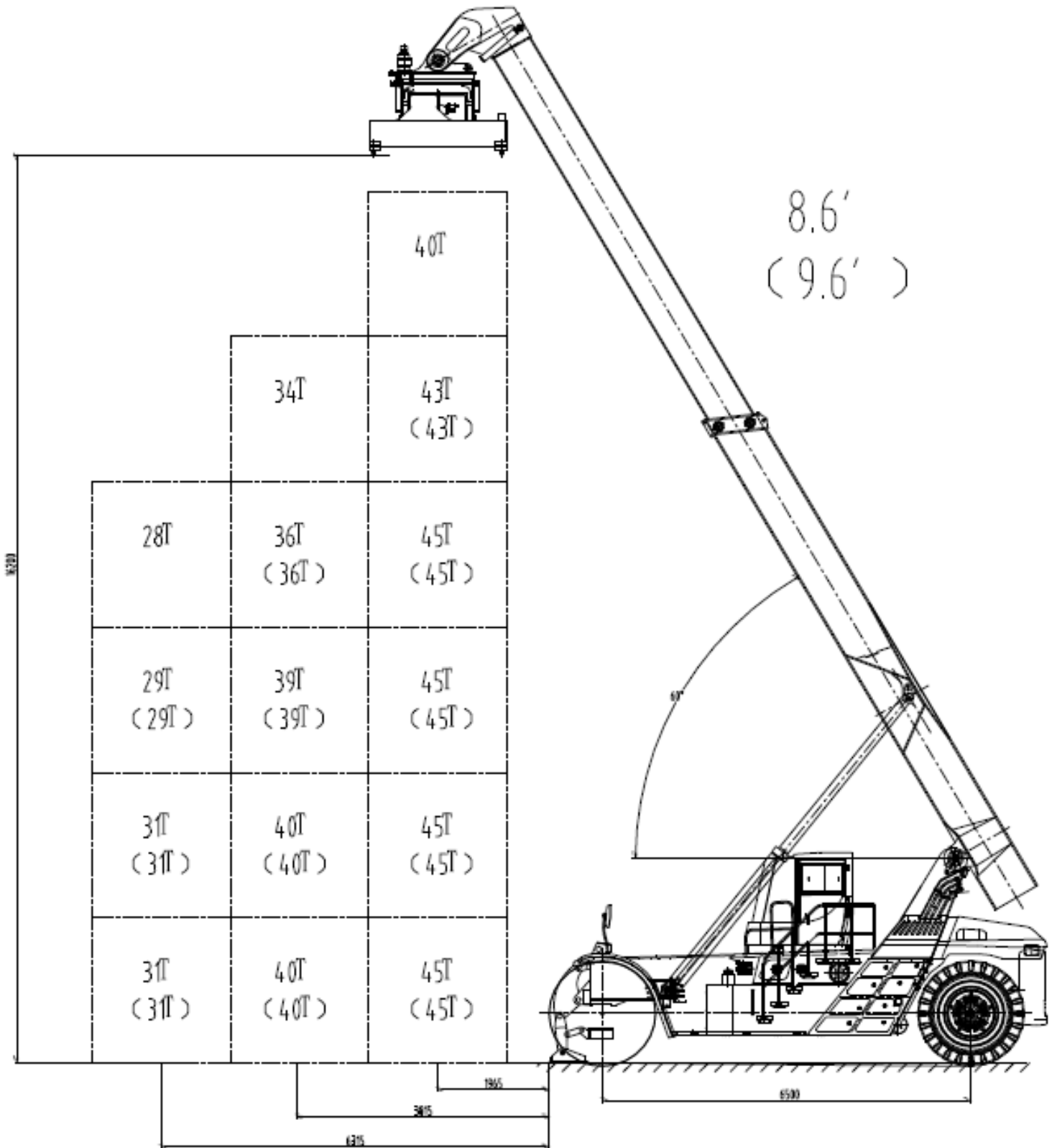
SRSC4539



SRSC4539-P

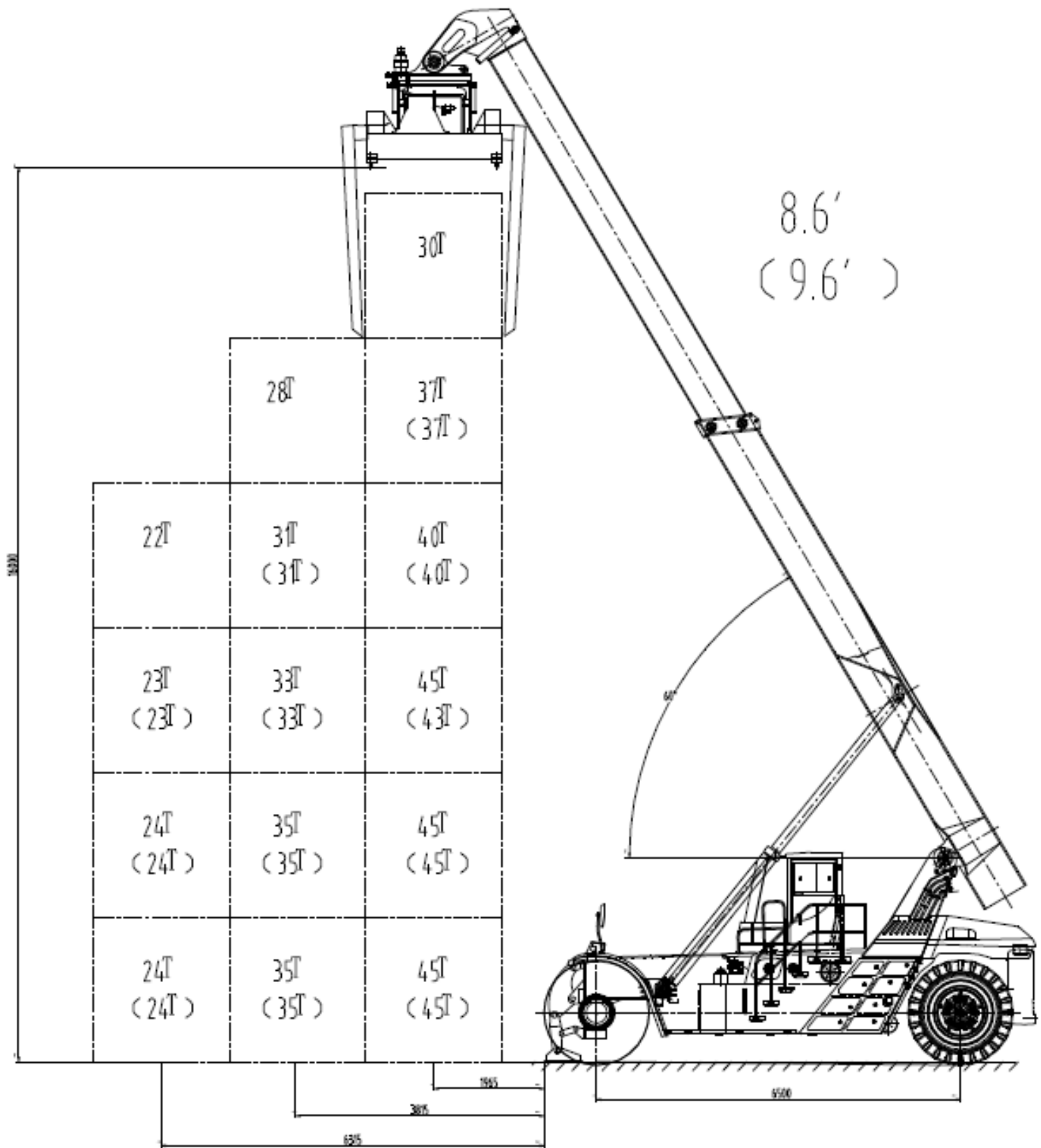


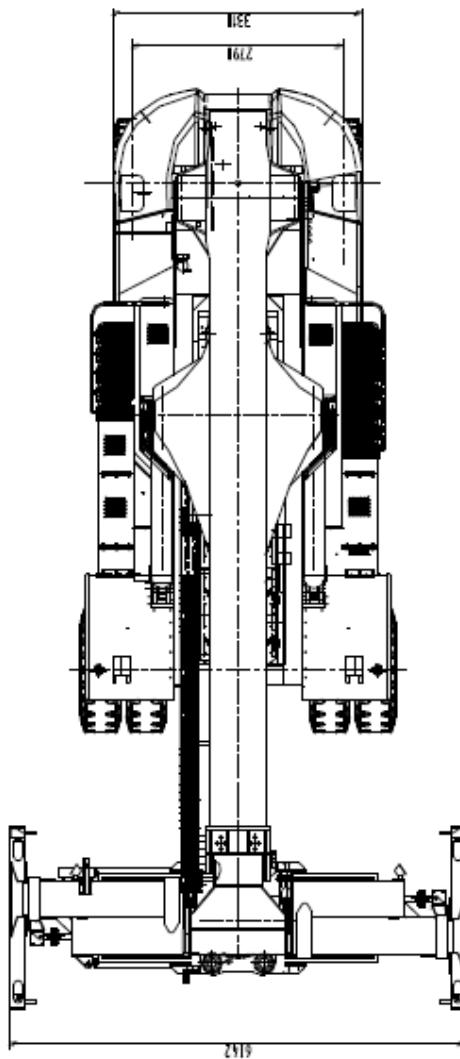
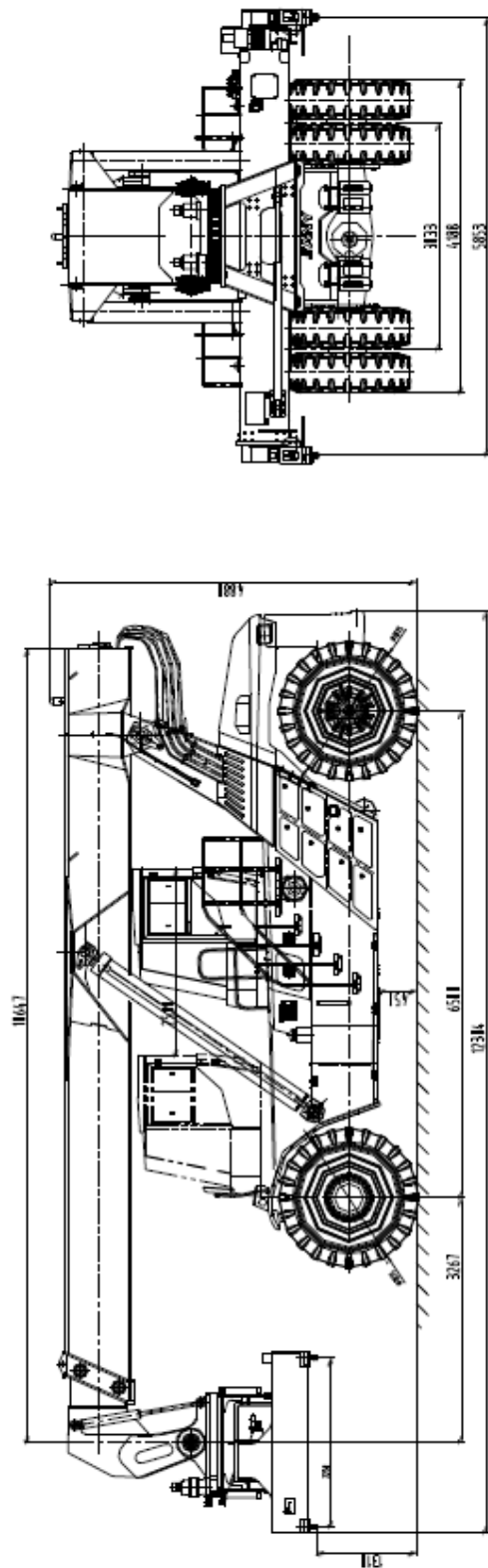
SRSC4539S (With Stabilizers down)



SRSC4539S-P

(With Piggy Back and With Stabilizers down)





*Please note that all dimensions are based on Sany SDJ450 Spreader

**Machine will be supplied with Elme 817 or 857 Spreader