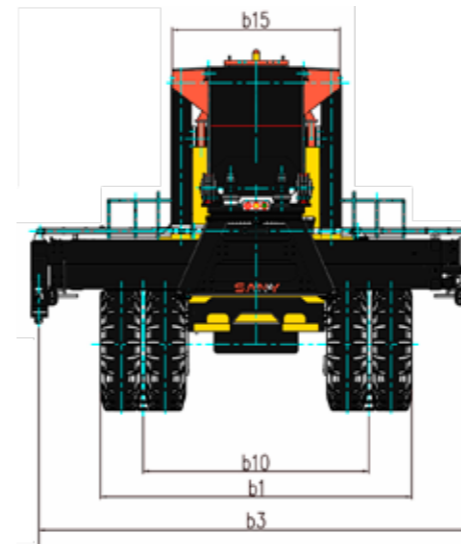
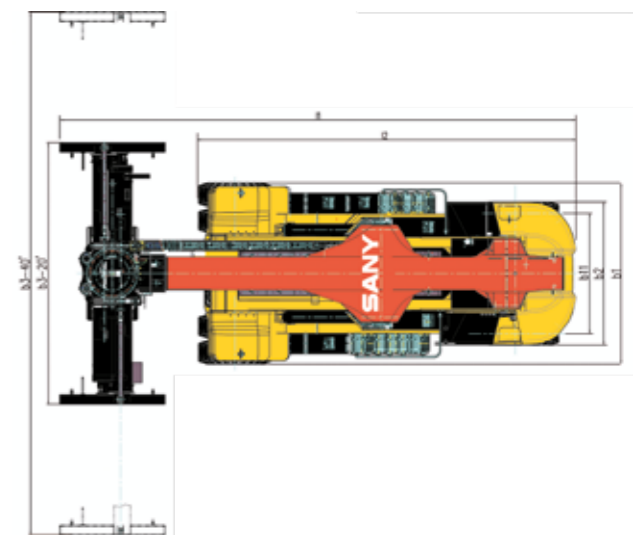
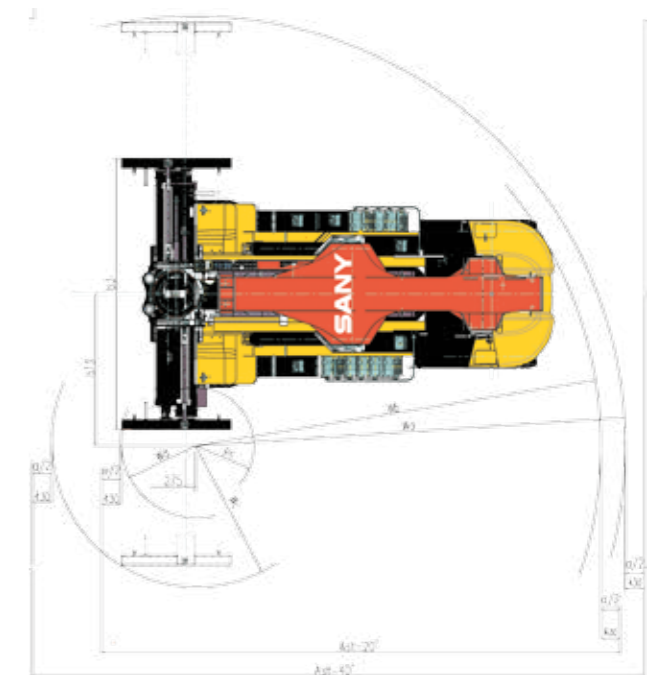
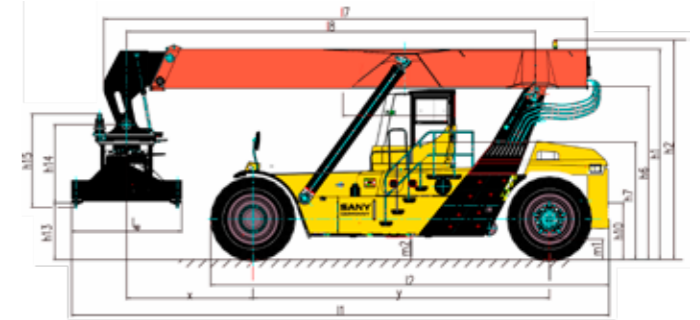


SRSC4533G DATA SHEET



SANY

DIMENSIONS



OVERALL DIMENSIONS		
		mm
I1	Overall Length	11960
I2	Overall Length Chassis	8864
I7	Overall Length Boom	10747
b15	Boom Width	2255
y	Wheel Base	6500
x	Distance from center of Drive Axle to Load center	2814
b3	Overall Width	6042-12175
h1	Overall Height without Rotating Flashing Beacon	4700
h2	Overall Height with Rotating Flashing Beacon	4795
h6	Overall Height Chassis without Boom	3780
m2	Min. Ground Clearance	300
h4	Max. Boom Height	18070
h3-L1	Max. Lift Height in First Row	15000
h3-L2	Max. Lift Height in Second Row	13500
h3-L3	Max Lift Height in Third Row	10600
h7	Seat Height	2606
L8	Min. Distance Spreader pin to Chassis pin	9094
lsp	Spreader Width	2443
h15	Spreader Height	2076
b1	Overall Width Front Axle	4190
b2	Overall Width Rear Axle	3310
b10	Track Width Center of Front Tire	3033
b11	Track Width Center of Rear Tire	2790
b13	Turning Radius from Load center to center of machine	3386
R1	Turning Radius Load center to outer edge of drive axle	1300
Wb/Wd	Turning Radius with 20' Container Max/Min	8947/1719
Wa/Wc	Turning Radius with 40' Container Max/Min	9582/3123
Ast-20'	Width 20' Container Passage	11266
Ast-40'	Width 40' Container Passage	13305
	Tilt [°]	0-60
	Tyre Size	18.00 - 25"

SPECIFICATIONS 4533G



POWERTRAIN SYSTEM AND SPREADER		
	Tier IIIa	Tier IVf
Engine	Volvo TAD-952VE	Volvo TAD1171VE
Rated Power	240kW/2100	265kW/2100
Gearbox	Clark 15.5HR36000	
Drive Axle	Kessler D102 PL341	
Spreader	Elme 817 or SANY SDJ450F	

OVERALL WEIGHTS		
Overall Weight without Load	kg	74480
Axle Weight without Load Front/Rear at L1	kg	37500/36980
Axle Weight with Max. Load Front/Rear at L1	kg	103000/16480
Axle Weight with Max. Load Front/Rear at L2	kg	97150/10330
Axle Weight with Max. Load Front/Rear at L3	kg	81800/8680

PERFORMANCE		
Max. Load	kg	45000
Stacking Layer		5
Max. Towing ability	kN	325
Max. Lifting Speed Laden / Unladen	mm/s	220/420
Max. Lowering Speed Laden / Unladen	mm/s	500/400
Max. Driving Speed Laden / Unladen	km/h	21/25
Max. Gradeability Laden / Unladen	%	26/44
Hydraulic Pressure	bar	240
	Tier IIIa	Tier IV
Noise Level in cabin LpA dB	76	71
Noise Level outside LwA dB	109	104
Noise level outside with noise reduction kit LwA dB	105	-

LOAD CHART

15000mm

1930mm

3850mm

6350mm

8'6" (9'6")

44t (42)

32t 45t

16t 33t 45t

16t 33t 45t

16t 33t 45t

FIXED COUNTERWEIGHT

15000mm

1930mm

3850mm

6350mm

8'6" (9'6")

44t (42)

32t 45t

17t 34t 45t

17t 34t 45t

17t 34t 45t

MOVEABLE COUNTERWEIGHT

ADDR SANY EUROPE GmbH
Sany Allee 1, D-50181 Bedburg
TEL 0049 2272 90531 100
FAX 0049 2272 90531 109
MAIL info@sanyeurope.com
NET www.sanyeurope.com

Not all products are available in all markets. Under our policy of continuous improvement, we reserve the right to change specifications and design without prior notice. The illustrations do not necessarily show the standard version of the machine.